

Product Information



Elmasonic Med*

Ultrasonic cleaning devices

registered as class I medical devices according to the Medical Devices Regulation (EU) 2017/745.



Order numbers and list prices

Elmasonic Med	30	60	100	120	150	180	300	500	900
Order number 220-240 V~	1097278-C	1100677-C	1098774-C	1099984-C	1100686-C	1100688-C	1098779-C	1079529-C	1079227-C

Scope of delivery

- Q Lid
- Q Operating manual
- Q Power cable with rubber connector (2 m length)
- Q Hose connection grommet (except Elmasonic Med 30), drain hose not included

All prices ex works, excluding packaging.

Technical specifications serve as orientation values and are subject to tolerances due to production and manufacturing. Proper operation can only be guaranteed when using original Elma accessories.

Elmasonic Med*

Product features and functions

Q 37 kHz ultrasonic frequency (control range -2,5/+5,5 kHz)
Q 5 ultrasonic modes for need-based sound field distribution in the ultrasonic bath
Q eco-mode: Gentle cleaning with quieter operation by running the sweep-mode at a slightly lower intensity
Q sweep-mode: Even cleaning through even sound field distribution in the ultrasonic bath
Q pulse-mode: Removal of even stubborn contamination through pulsating sound field distribution
Q dynamic-mode: Combination of the ultrasonic modes sweep and pulse in order to increase the cleaning performance
Q degas-mode: Quick degassing of the cleaning liquid and for special applications in the laboratory
Q 4 memory locations for cleaning programs, available via quick selection
Q Autostart function for temperature-controlled start of cleaning
Q Adjustable limit temperature from 40-60 °C (can be switched to °F)
Q Digital control unit with wipeable membrane keyboard and easy-to-read display for displaying all operating states
Q Optical and acoustic feedback, e.g. at the end of cleaning or when the limit temperature is reached
Q Pre-selection of cleaning time: cleaning time adjustable between 1 minute and 6 hours
Q Electronic temperature control adjustable in steps of 5 °C from 25-80 °C (can be switched to °F; temperature tolerance -5/+8 °C)
Q Setup menu for individual adjustment of the device functions
Q Dry run protection (except for Elmasonic Med 500 and 900)
Q Automatic safety shutdown after 8 hours
Q Splash-proof case and cleaning tank made of stainless steel
Q Shut-off valve on the side for emptying the cleaning tank via the outlet on the rear of the device (only for Elmasonic Med 60 to 300)
Q Shut-off valve and outlet on the side of the device for emptying the cleaning tank (only for Elmasonic Med 500 and 900)
Q 2-year warranty from the initial operation, but no longer than 3 years from the production date

Technical specifications serve as orientation values and are subject to tolerances due to production and manufacturing. Proper operation can only be guaranteed when using original Elma accessories.

Elmasonic Med*

Technical Data - Mechanics

Elmasonic Med	30	60	100	120	150	180	300	500	900
Recom. operating capacity V_a (l)	1,6	4,3	6,8	10,0	8,7	14,2	22,0	40,3	63,7
Unit ext. dimensions W/D/H (mm)	305/170/230	370/210/275	380/300/280	380/300/330	575/360/230	405/360/330	575/360/330	770/495/505	870/665/505
Tank int. dimensions W/D/H (mm)	220/120/95	275/125/145	280/220/145	300/215/195	485/280/95	300/370/195	475/270/195	500/330/290	600/500/285
Weight incl. cover (kg)	3,6	5,2	6,2	7,7	8,8	10,2	12,2	28,0	43,0
Drain hose - ID (mm)	-	12,0						19,0	

Technical Data - Electronics and noise levels

Elmasonic Med	30	60	100	120	150	180	300	500	900
Mains voltage (V~)	220-240								
Mains frequency (Hz)	50/60								
Power consumption total (W)	320	550	1000	1100	1000	1500	2080	2960	
Ultrasonic power effective $\pm 10\%$ (W)	120	150	200	300	200	300	480	960	
Ultrasonic peak power max* (W)	480	600	800	1200	800	1200	1920	3840	
Heating power (W)	200	400	800	800	800	1200	1600	2000	
Temperature (°C)	25-80								
Protection class	IP 20								
Sound pressure level (L_{pAU})**									
Ultrasonic sound level (L_{pZ})***									

** The signal form of the wave results in a factor 4 for the ultrasonic peak max., depending on the modulation of the wave.

*** Measured sound pressure level with basket and cover at 1 m distance.

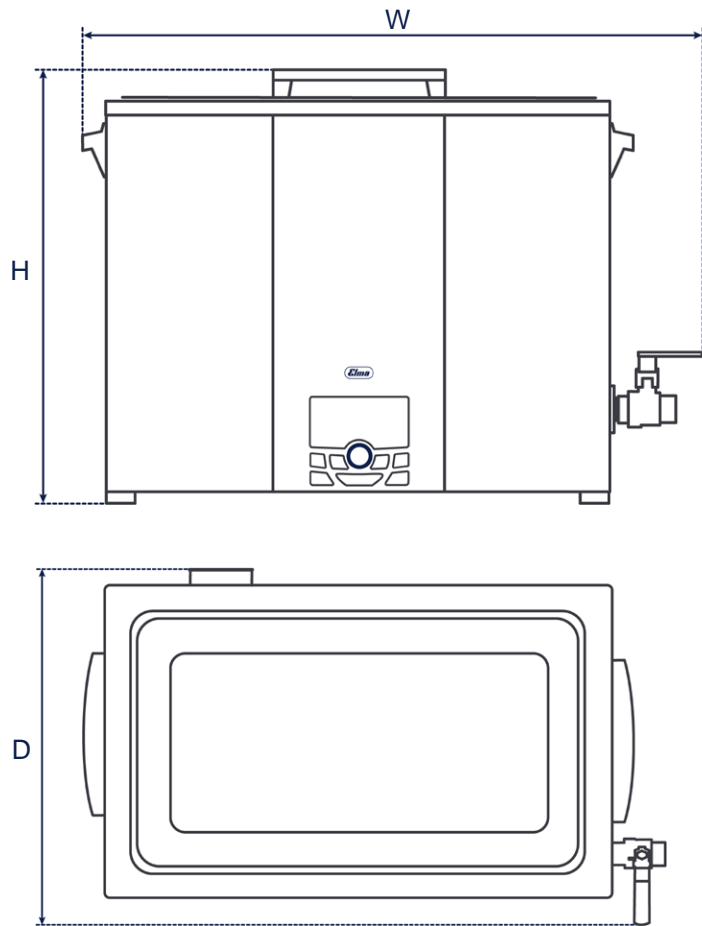
Technical specifications serve as orientation values and are subject to tolerances due to production and manufacturing. Proper operation can only be guaranteed when using original Elma accessories.

Elmasonic Med*

Dimension definition

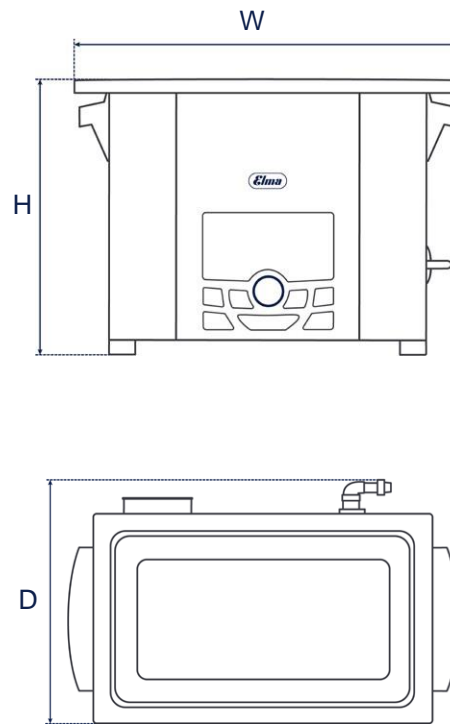
Unit outer dimensions

Elmasonic Med 500 und 900



Unit outer dimensions

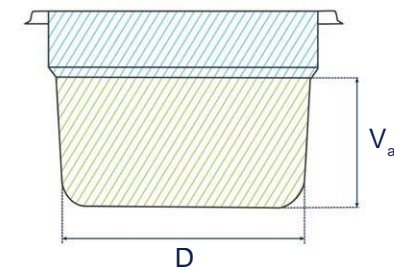
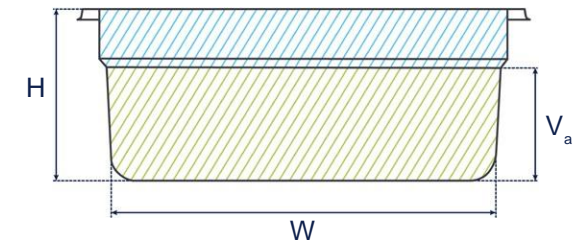
Elmasonic Med 30 bis 300



Tank internal dimensions

Elmasonic Med 30 bis 900

V_a : recommended operating capacity of the cleaning tank
(The actual operating capacity depends on the load.)



The drawings are merely included as a visualization aid and are not true to scale.

Technical specifications serve as orientation values and are subject to tolerances due to production and manufacturing. Proper operation can only be guaranteed when using original Elma accessories.